

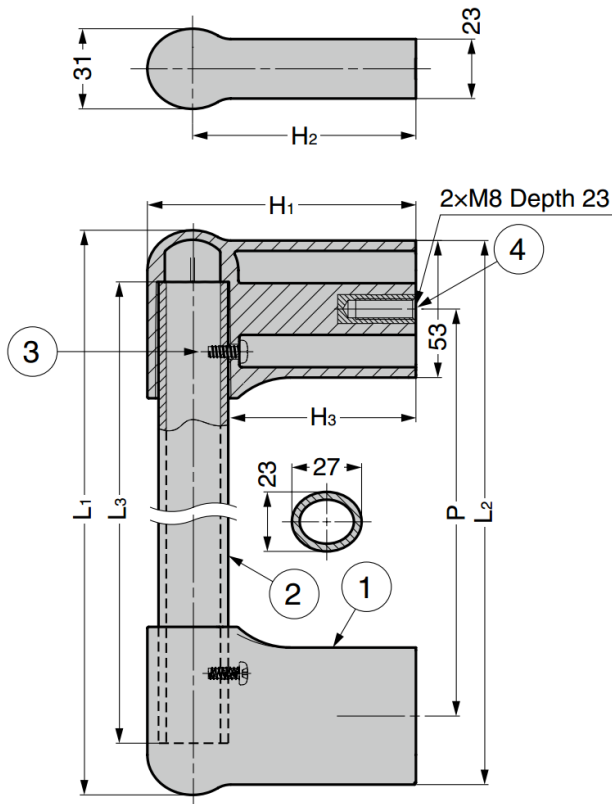
GMTH Aluminium Pipe Handle

Features

- Position of bracket (GMTH-T) is higher than typical handles, suitable for inset sliding door of machine tools
- GMTH-L with the same height as typical handles for total coordination with handle of machine tools
- Pipe and bracket are connected with screws, preventing pipe loosening and idling
- Elliptical pipe shape allows for easy gripping and sliding

Notes

- For single-sided mount, cannot be used for double-sided mount
- Recommended screw: M8



No.	Part Name	Material	Finish / Colour
①	Bracket	Glass Filled Polyamide	Black
②	Pipe	Aluminium Alloy	Anodised Silver
③	Countersunk head tapping screw 5 x 12	Steel	Coloured Zinc Chromate (Trivalent)
④	Nut	Brass	Plain

Part No.	L ₁	L ₂	L ₃	P	H ₁	H ₂	H ₃	Load Capacity	
GMTH-L300	360	352	320	300	74	65.5	43	500 N	51 kg
GMTH-L450	510	502	470	450					
GMTH-L600	660	652	620	600					
GMTH-T300	360	352	320	300	104	86.5	73		
GMTH-T450	510	502	470	450					
GMTH-T600	660	652	620	600					